

447B

SAFETY VALVE FEMALE CONNECTION



TECHNICAL SPECIFICATIONS

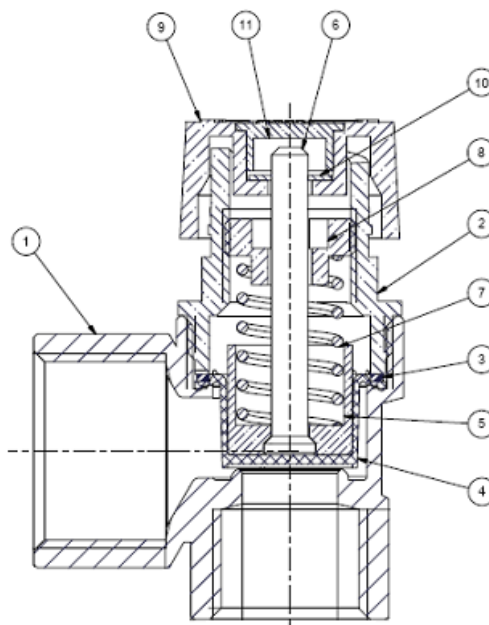
MAX PRESSURE:	10 BAR
DESIGN TEMPERATURE:	0-110°C
OVERPRESSURE:	10%
RESEATING PRESSURE:	20% (MINIMUM 0,6 BAR)



DIAPHRAGM SAFETY VALVES APPLICATION

447 SERIES IS CE MARKED IT MEET THE APPLICABLE REQUIREMENTS OF THE 97/23/EC DIRECTIVE, AS CERTIFIED BY NOTIFIED BODY.

MATERIALS



POS.	DESCRIPTION	N.	MATERIAL
1	BODY	1	BRASS CW617N EN12165
2	HEAD SCREW	1	PA6 30% GLASS FIBER
3	WASHER	1	VULCANIZED FIBRE
4	MEMBRANE	1	EPDM 70
5	SHUTTER	1	POM 30% GLASS FIBER
6	STEM	1	POM
7	SPRING	1	STEEL C98 EN10270-1 SH FOSF.
8	ADJUSTING SCREW	1	POM 30% GLASS FIBER
9	HANDLE	1	ABS
10	WASHER LOCK	1	STEEL C72
11	TOP	1	PA6





OVERALL DIMENSION

SIZE (D)	VERSION	H	h	L
1/2"	FROM 1,8 BAR TO 7 BAR	62	22	25
1/2"	8 BAR AND 10 BAR	70	25	25
3/4"	FROM 1,8 BAR TO 7 BAR	80	24	30
3/4"	8 BAR AND 10 BAR	82	25	32
1"	FROM 1,8 BAR TO 10 BAR	112	30	38

