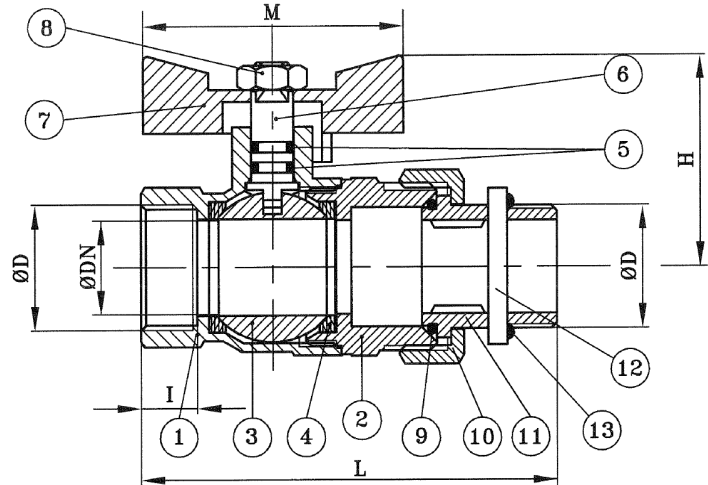




422BA - PIPE UNION AND METAL RING MF FULL BORE BALL VALVE PN 25 WITH T-HANDLE



N° Pos	N° Q.ty	Description	Material	Treatment
1	1	Body valve	CW617N UNI EN 12165	Nickel plated
2	1	Brass end cap	CW617N UNI EN 12165	Nickel plated
3	1	Ball	CW614N UNI EN 12164 CW617N UNI EN 12165	Chromed
4	2	Teflon seat	PTFE	
5	2	O-Ring	NBR	
6	1	Stem	CW614N UNI EN 12164	
7	1	T handle	Al EN-AB 46100	
8	1	Nut	Steel Fe 6S	Zinc. coated
9	1	O-Ring	NBR	
10	1	Nut	CW617N UNI EN 12165	Nickel plated
11	1	Tang	CW617N UNI EN 12165	Nickel plated
12	1	Metal Ring	CW617N UNI EN 12165	Nickel plated
13	1	O-Ring	EPDM	

Size (ØD)	ØDN	l1	H	L	M	PN (bar)
1/2	14	12	36	80	54	30
3/4	18,5	12	41	87	54	30
1"	23,5	15	46	100	64	30
1" 1/4	30	19	51	126	70	25

Technical Features

Threads	ISO 228
Working temperature	0°C - 110°C (32°F - 230°F)

MADE IN ITALY

bianchifratelli.it

BIANCHI F.LLI S.p.A.

VIA VALDORO 5—P.O. BOX 66—25065 LUMEZZANE (BRESCIA) — ITALY

PHONE: +39 030 8920386—FAX: +39 030 8922518 / WWW.BIANCHIFRATELLI.IT - INFO@BIANCHIFRATELLI.IT