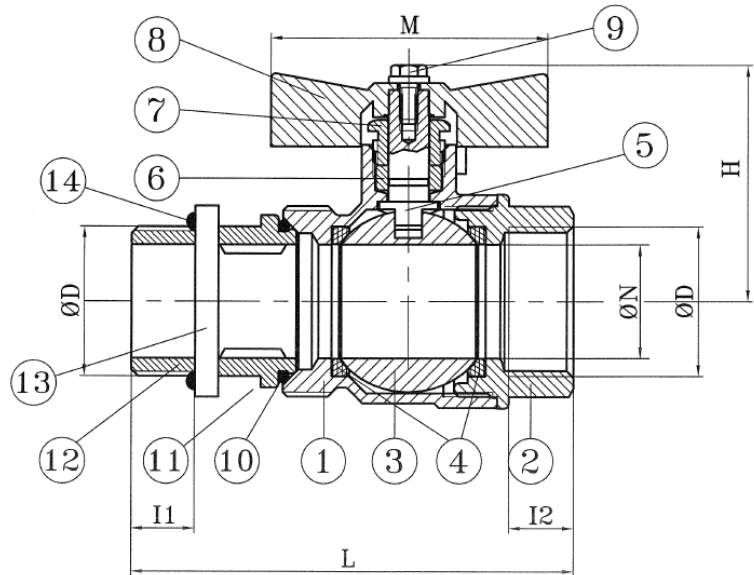




422A - PIPE UNION AND METAL RING MF BALL VALVE WITH T-HANDLE



N° Pos.	N° Q.ty	Description	Material	Treatment
1	1	Body valve	CW617N UNI EN 12165	Chromed
2	1	Brass end cap	CW617N UNI EN 12165	Chromed
3	1	Ball	CW614N UNI EN 12164 CW617N UNI EN 12165	Chromed
4	2	Teflon seat	PTFE	
5	1	Stem	CW614N UNI EN 12164	
6	1	Cylinder	PTFE	
7	1	Metal Ring	CW614N UNI EN 12164	
8	1	T handle	Al EN-AB 46100	Painted
9	1	Screw	Fe	
10	1	O-Ring	NBR	
11	1	Nut	CW617N UNI EN 12165	Chromed
12	1	Metal ring	CW617N UNI EN 12165	Chromed
13	1	Tang	CW614N UNI EN 12164	Chromed
14	1	O-Ring	NBR	

Size (ØD)	ØN	I1	I2	H	L	M
1/2	15	12	12,5	42	80	54
3/4	20	12	14	45	87	54
1"	25	13	15	51	100	64

Technical Features

Threads	ISO 228
Working temperature	0°C - 110°C (32°F - 230°F)
Nominal Pressure	PN 40

MADE IN ITALY

bianchifratelli.it

BIANCHI F.LLI S.p.A.

VIA VALDORO 5—P.O. BOX 66—25065 LUMEZZANE (BRESCIA) — ITALY

PHONE: +39 030 8920386—FAX: +39 030 8922518 / WWW.BIANCHIFRATELLI.IT - INFO@BIANCHIFRATELLI.IT