

424A

MALE-FEMALE FULL BORE BALL VALVE

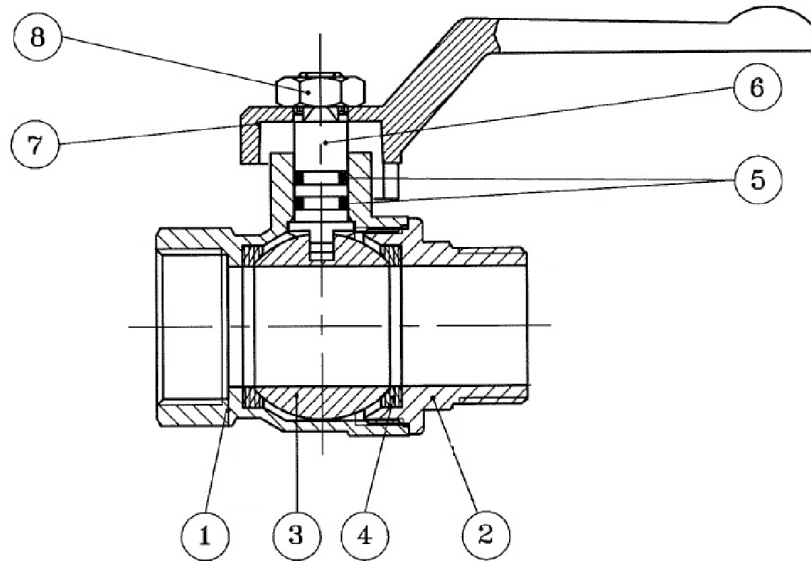


TECHNICAL SPECIFICATIONS

WORKING TEMPERATURE: 0°C - 110°C (32°F-230°F)
NOMINAL PRESSURE: PN30
THREADS: ISO 7/1
SIZES: FROM 1/2" TO 2"



MATERIALS



POS.	DESCRIPTION	N.	MATERIAL
1	BODY	1	CW617N UNI EN 12165 NICKEL PLATED
2	UNION	1	CW617N UNI EN 12165 NICKEL PLATED
3	BALL	1	CW617N UNI EN 12165 CHROMED
4	SEAT	2	PTFE
5	O-RING	2	NBR
6	STEM	1	CW614N UNI EN 12164
7	LEVER HANDLE	1	ALUMINUM
8	NUT	1	STEEL





OVERALL DIMENSIONS

$\varnothing D$	L	M	H
1/2"	54	93	52
3/4"	66	93	57
1"	77	112	62
1 1/4"	91	112	66
1 1/2"	101	143	77
2"	117	143	81

