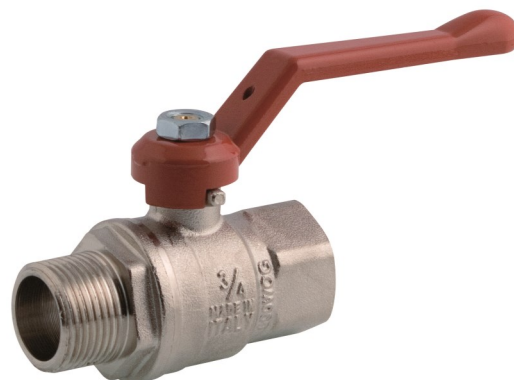




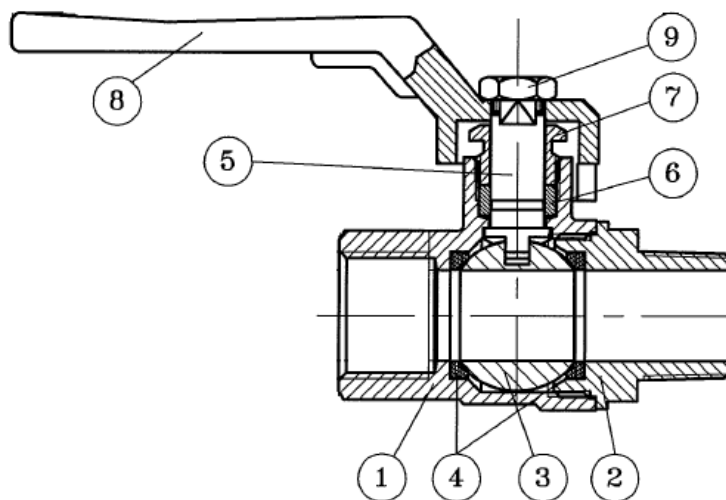
MALE-FEMALE FULL BORE BALL VALVE WITH LEVER HANDLE

TECHNICAL SPECIFICATIONS

WORKING TEMPERATURE:	0°C - 110°C (32°F-230°F)
NOMINAL PRESSURE:	PN40
THREADS:	ISO 228
SIZES:	FROM 1/4" TO 2"



MATERIALS



POS.	DESCRIPTION	N.	MATERIAL
1	BODY	1	CW617N UNI EN 12165 NICKEL PLATED
2	UNION	1	CW617N UNI EN 12165 NICKEL PLATED
3	BALL	1	CW617N UNI EN 12165 CHROMED
4	SEAT	2	PTFE
5	O-RING	2	NBR
6	STEM	1	CW614N UNI EN 12164
7	METAL RING	1	CW614N UNI EN 12164
8	LEVER HANDLE	1	ALUMINUM
9	NUT	1	STEEL



OVERALL DIMENSIONS

$\varnothing D$	L	M	H
1/4"	53	81	38
3/8"	53	81	38
1/2"	65	84	49
3/4"	74	107	55
1"	88	107	60
1 1/4"	98	138	75
1 1/2"	114	138	81
2"	134	155	96

