



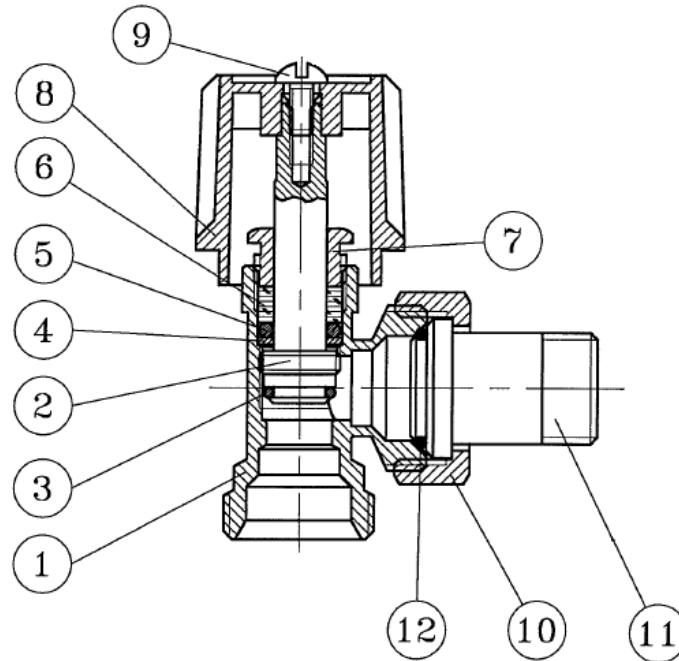
ANGLE RADIATOR VALVE LIGHT PATTERN

TECHNICAL SPECIFICATIONS

MAX WORKING PRESSURE	10 BAR
MAX WORKING TEMPERATURE	110°C
THREADS	ISO228
CONNECTION FOR	COPPER, MULTILAYER, PEX



MATERIALS

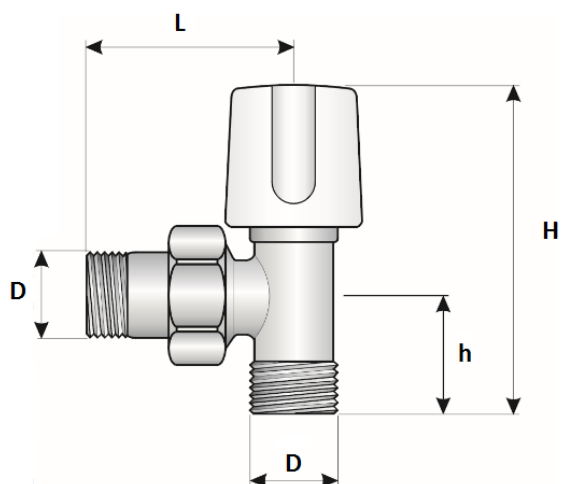


POS.	DESCRIPTION	N°	MATERIAL
1	BODY	1	BRASS CW617N
2	SCREW	1	BRASS CW614N
3	OR	1	NBR
4	WASHER	1	BRASS CW614N
5	OR	1	NBR
6	RING	1	PTFE
7	METAL RING	1	BRASS CW614N
8	HANDWHEEL	1	ABS
9	BLOCK SCREW	1	Fe
10	NUT	1	BRASS CW617N
11	TANG	1	BRASS CW617N
12	OR	1	NBR

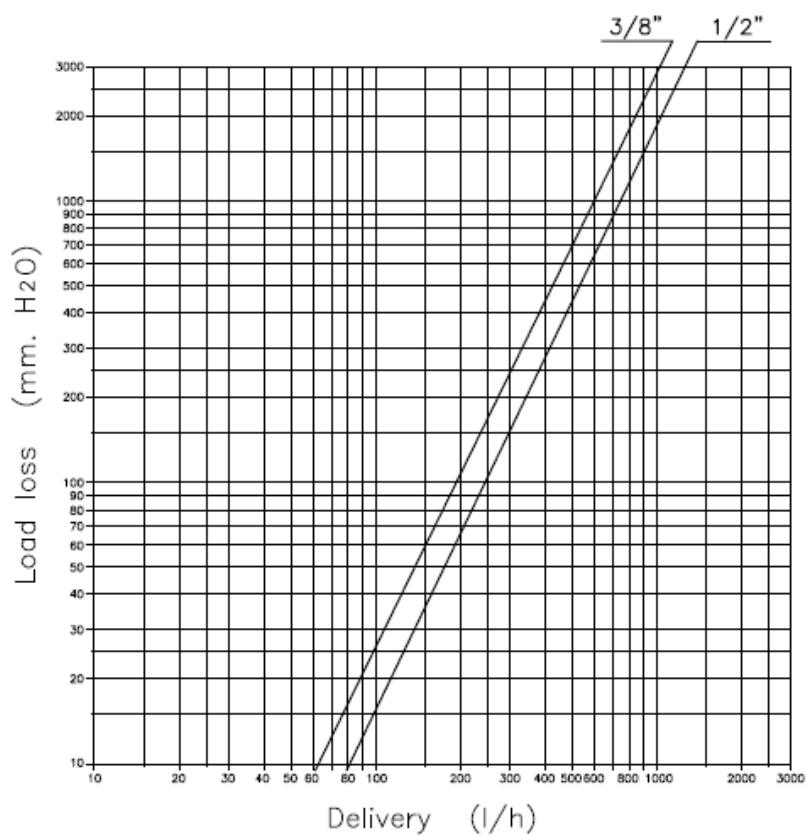


OVERALL DIMENSIONS

D	H	h	L
3/8"	75,5	21,5	46
1/2"	75,5	21,5	48



PRESSURE DROP DIAGRAMS



$$\underline{\underline{Kv\ 3/8'' = 1,85\ m^3/h}}$$

$$\underline{\underline{Kv\ 1/2'' = 2,2\ m^3/h}}$$