

409T



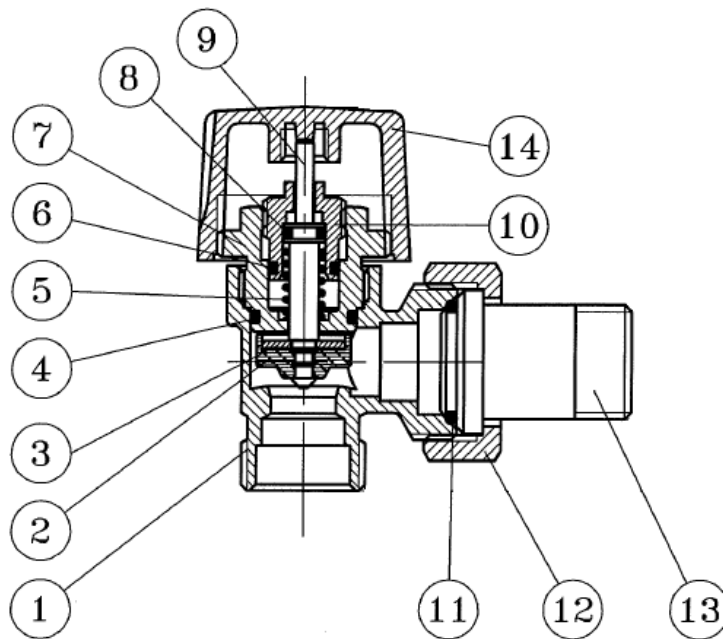
ANGLE THERMOSTATIC RADIATOR VALVE

TECHNICAL SPECIFICATIONS

WORKING PRESSURE: 10 BAR
MAX WORKING TEMPERATURE: 110 °C
THREADS: ISO 228
CONNECTION: FOR COPPER, MULTILAYER, PEX PIPE



MATERIALS



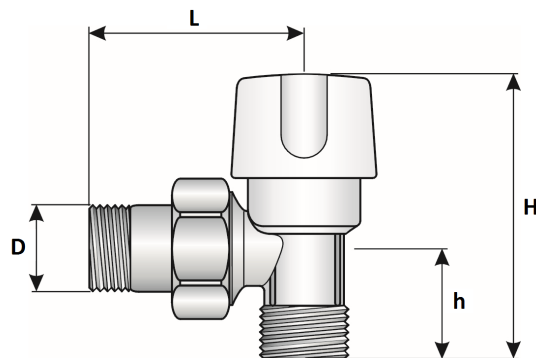
POS.	DESCRIPTION	N.	MATERIAL
1	BODY	1	CW617N UNI EN 12165 NICKEL PLATED
2	GASKET	1	EPDM
3	METAL RING	1	CW614N UNI EN 12164
4	O-RING	1	EPDM
5	SPRING	1	ANSI 302 UNI ISO 6931
6	O-RING	1	EPDM
7	BONNET	1	CW614N UNI EN 12164
8	O-RING	1	EPDM
9	PIN	1	CW614N UNI EN 12164
10	JACKET	1	CW614N UNI EN 12164
11	O-RING	1	EPDM
12	NUT	1	CW617N UNI EN 12165 NICKEL PLATED
13	TANG	1	CW617N UNI EN 12165 NICKEL PLATED
14	CAP	1	ABS





OVERALL DIMENSIONS

D	H	h	L
3/8	64	21,5	51
1/2	64	21,5	54



PRESSURE DROP DIAGRAMS

