



STRAIGHT LOCKSHIELD VALVE LIGHT PATTERN

TECHNICAL SPECIFICATIONS

MAX WORKING PRESSURE	10 BAR
MAX WORKING TEMPERATURE	110°C
THREADS	ISO228
CONNECTION FOR	IRON

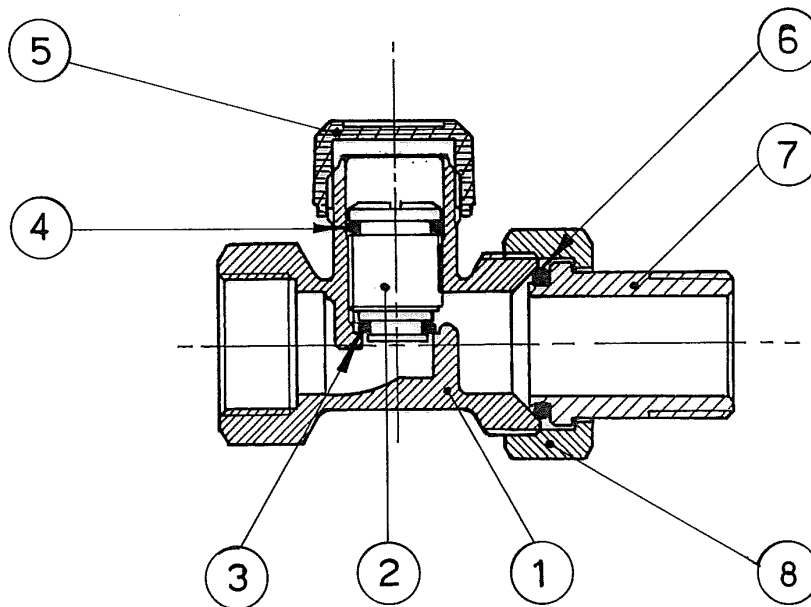


ART. 408 D



ART. 408 DB

MATERIALS

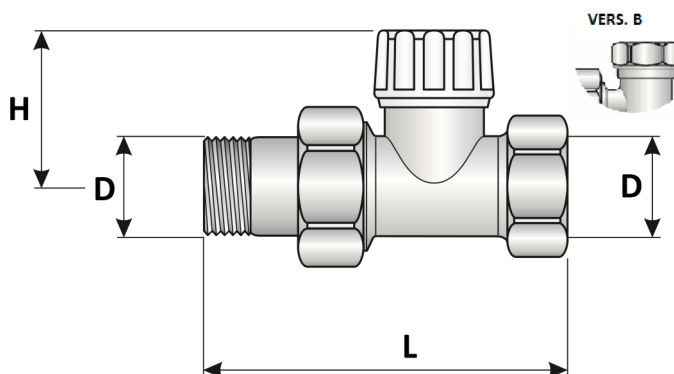


POS.	DESCRIPTION	N°	MATERIAL
1	BODY	1	BRASS CW617N
2	OR	1	EPDM
3	SCREW	1	BRASS CW614N
4	OR	1	NBR
5	CAP	1	ABS (ART.408D) - BRASS CW614N (ART.408DB)
6	NUT	1	BRASS CW617N
7	OR	1	NBR
8	TANG	1	BRASS CW617N

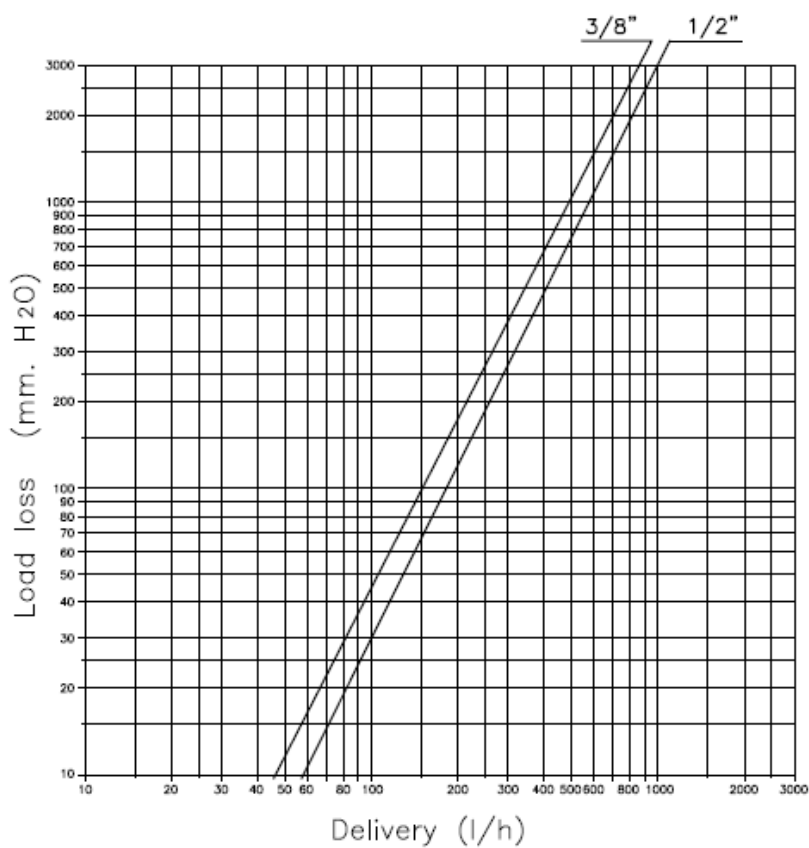


OVERALL DIMENSIONS

D	H	L
3/8"	31	70
1/2"	31	72



PRESSURE DROP DIAGRAMS



$$\underline{\underline{K_v \ 3/8'' = 1,6 \ m^3/h}}$$

$$\underline{\underline{K_v \ 1/2'' = 1,8 \ m^3/h}}$$

