



## DETENTORE AD ANGOLO TIPO EXPORT

### TECHNICAL SPECIFICATIONS

MAX WORKING PRESSURE	10 BAR
MAX WORKING TEMPERATURE	110°C
THREADS	ISO228
CONNECTION FOR	IRON

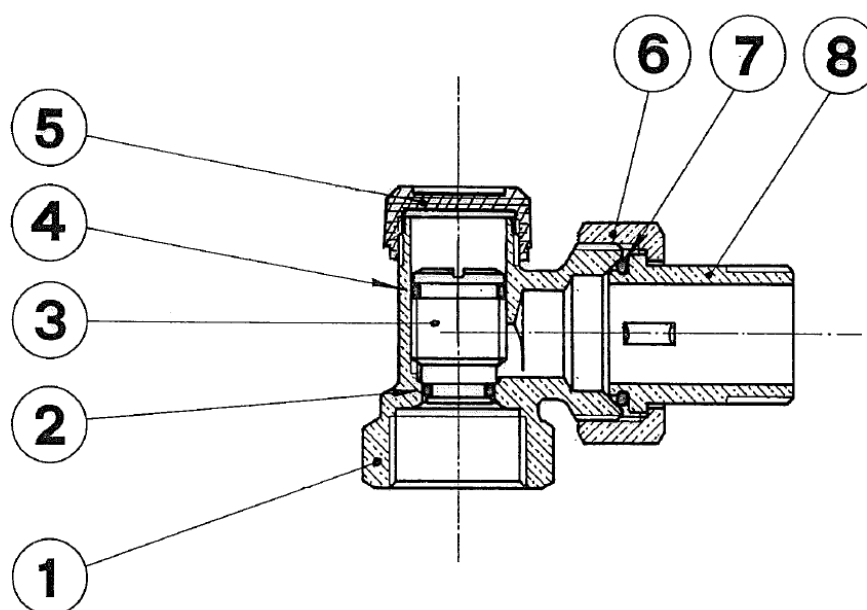


ART. 408



ART. 408 B

### MATERIALS

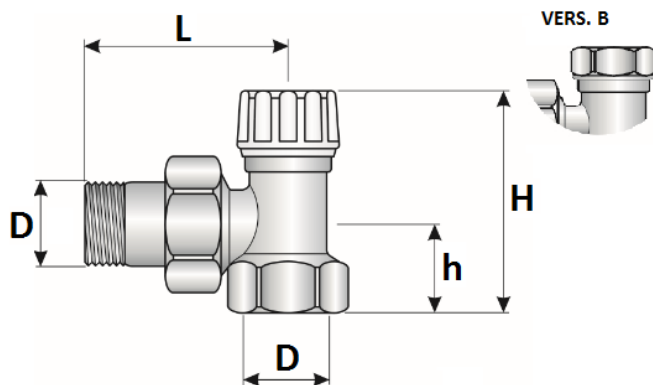


POS.	DESCRIPTION	N°	MATERIAL
1	BODY	1	BRASS CW617N
2	OR	1	EPDM
3	SCREW	1	BRASS CW614N
4	OR	1	NBR
5	CAP	1	ABS (ART.408) - BRASS CW614N (ART.408B)
6	NUT	1	BRASS CW617N
7	OR	1	NBR
8	TANG	1	BRASS CW617N

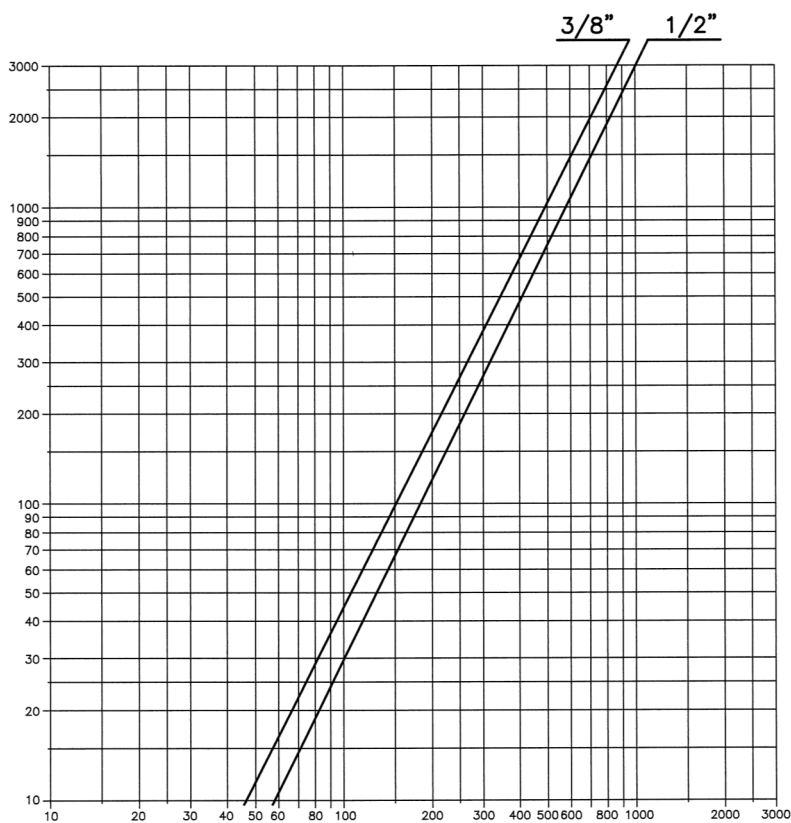


## OVERALL DIMENSIONS

D	H	h	L
3/8	59	19	70
1/2	60	21	72



## PRESSURE DROP DIAGRAMS



$$\underline{\underline{Kv\ 3/8'' = 1,6\ m^3/h}}$$

$$\underline{\underline{Kv\ 1/2'' = 1,8\ m^3/h}}$$