

401T

ANGLE THERMOSTATIC RADIATOR VALVE

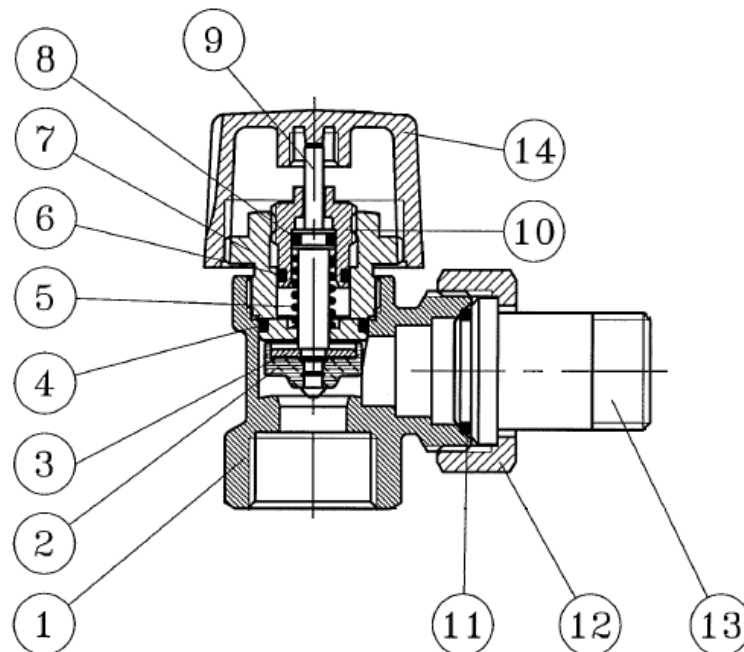


TECHNICAL SPECIFICATIONS

WORKING PRESSURE: 10 BAR
MAX WORKING TEMPERATURE: 110 °C
THREADS: ISO 228
CONNECTION: FOR IRON PIPE



MATERIALS



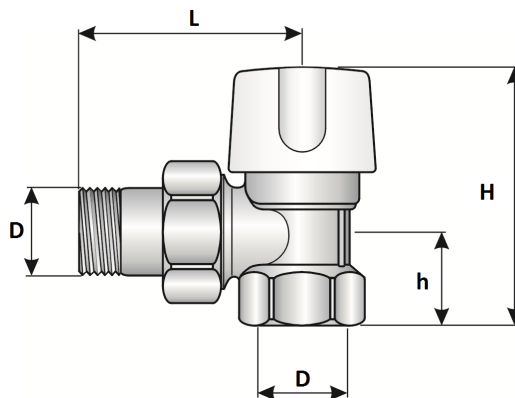
POS.	DESCRIPTION	N.	MATERIAL
1	BODY	1	CW617N UNI EN 12165 NICKEL PLATED
2	GASKET	1	EPDM
3	METAL RING	1	CW614N UNI EN 12164
4	O-RING	1	EPDM
5	SPRING	1	ANSI 302 UNI ISO 6931
6	O-RING	1	EPDM
7	BONNET	1	CW614N UNI EN 12164
8	O-RING	1	EPDM
9	PIN	1	CW614N UNI EN 12164
10	JACKET	1	CW614N UNI EN 12164
11	O-RING	1	EPDM
12	NUT	1	CW617N UNI EN 12165 NICKEL PLATED
13	TANG	1	CW617N UNI EN 12165 NICKEL PLATED
14	CAP	1	ABS





OVERALL DIMENSIONS

D	H	h	L
3/8	63	20,5	51
1/2	65	22,5	53
3/4	70	25,5	58



PRESSURE DROP DIAGRAMS

